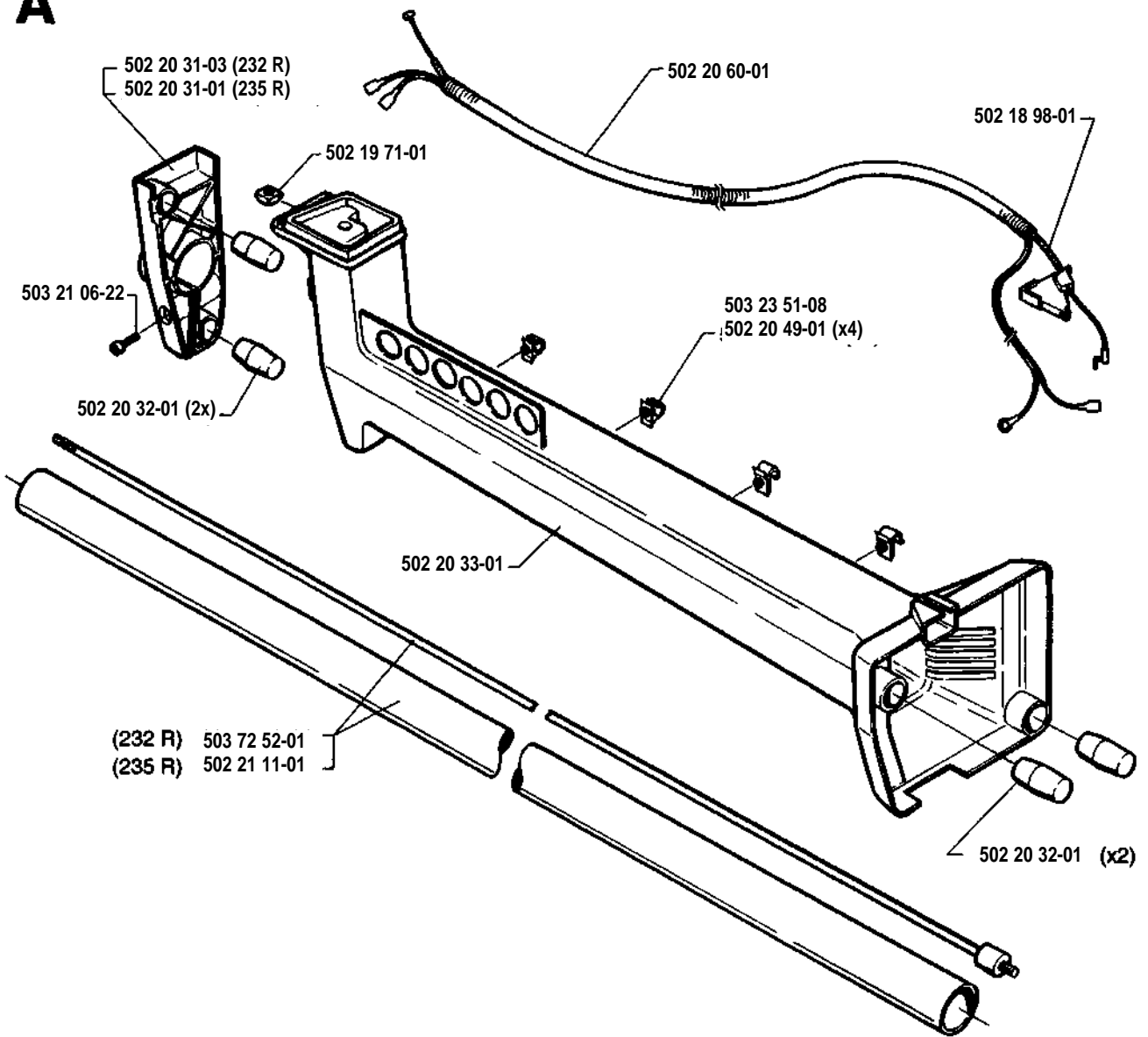
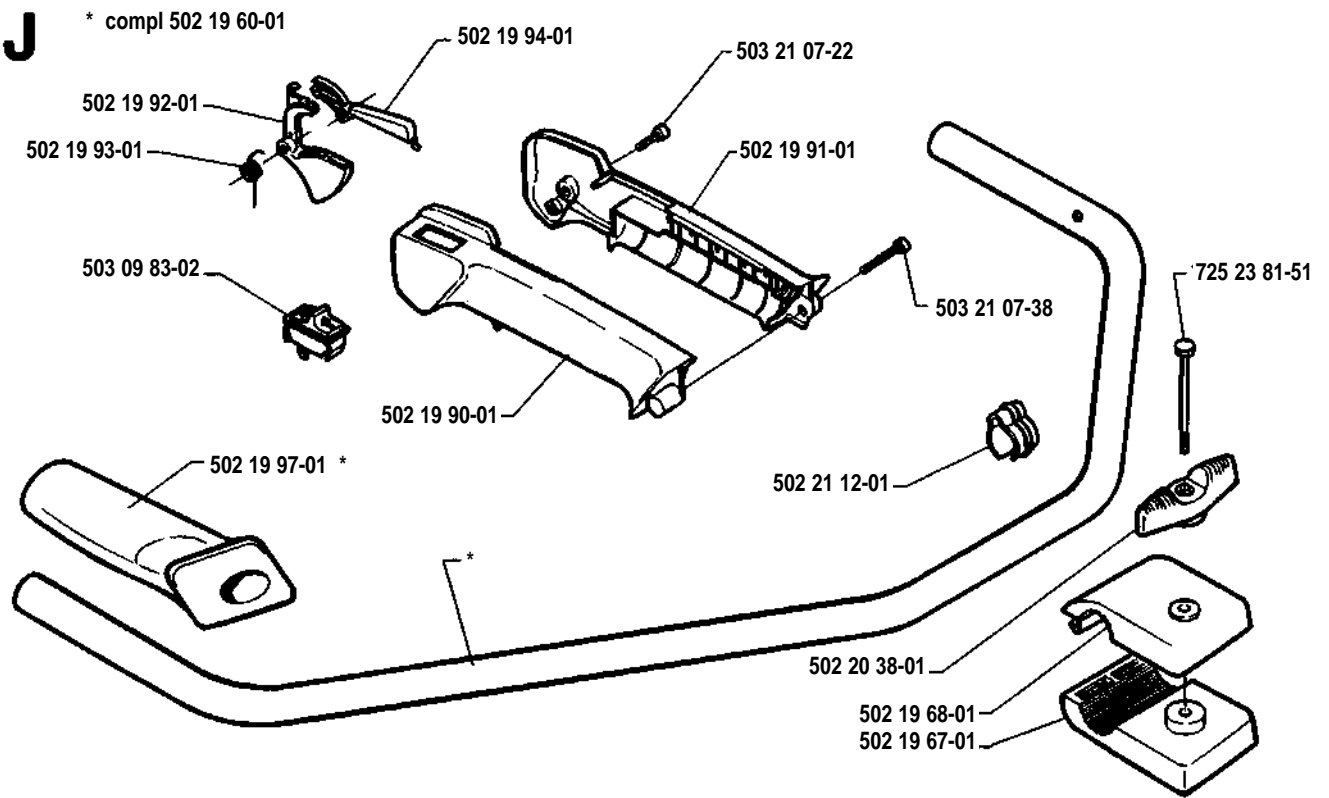


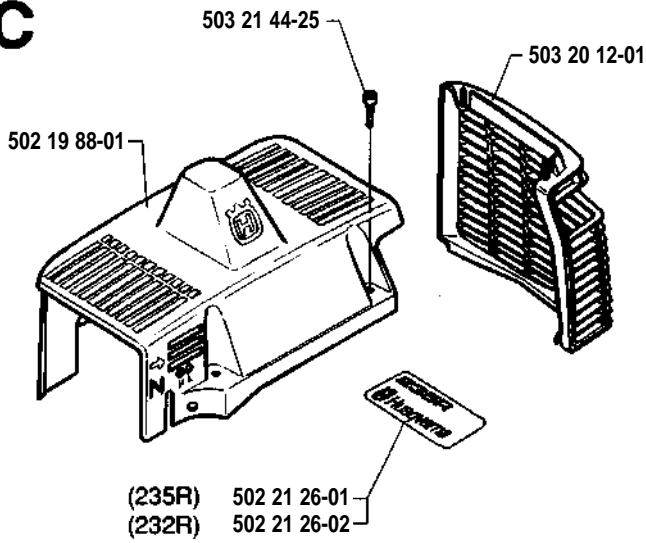
A



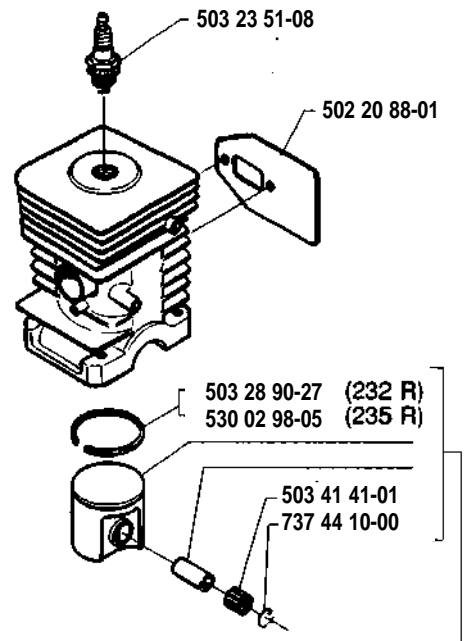
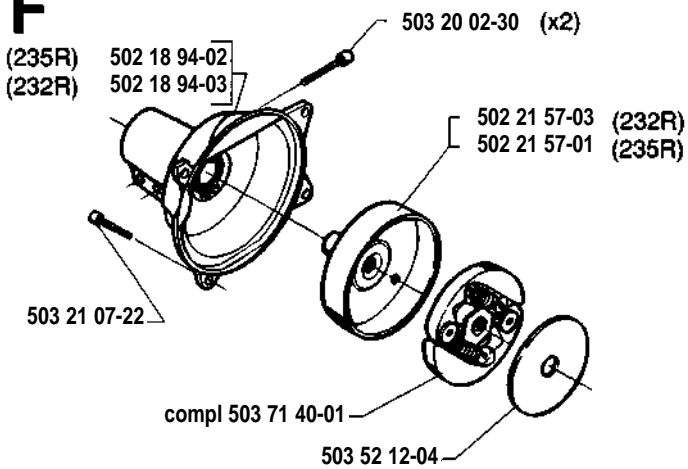
J

* compl 502 19 60-01

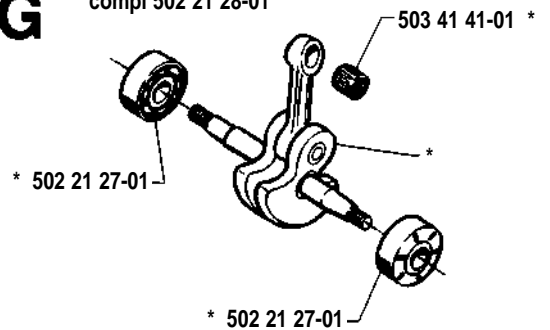


C**D**

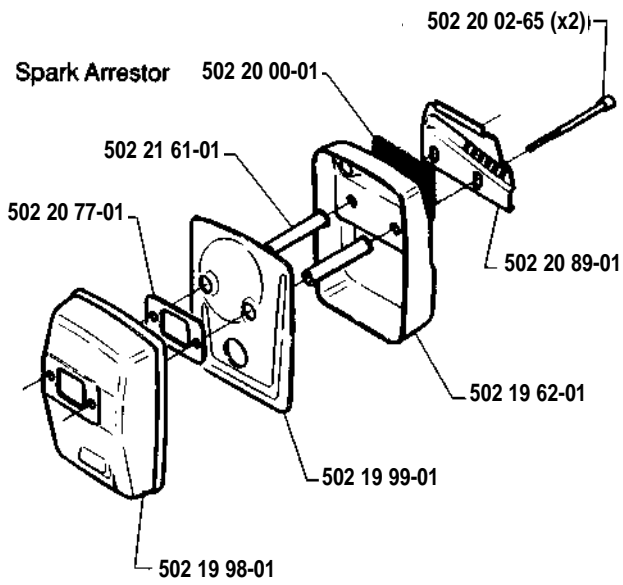
- * compl 503 72 80-01 (232R)
- * compl 503 69 46-01 (235R)

**F****G**

- * compl 502 21 28-01



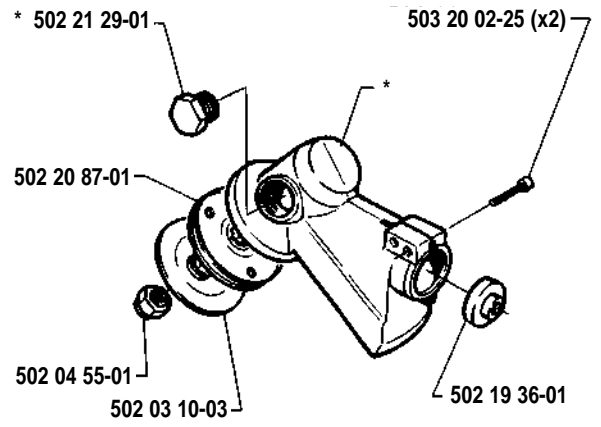
E



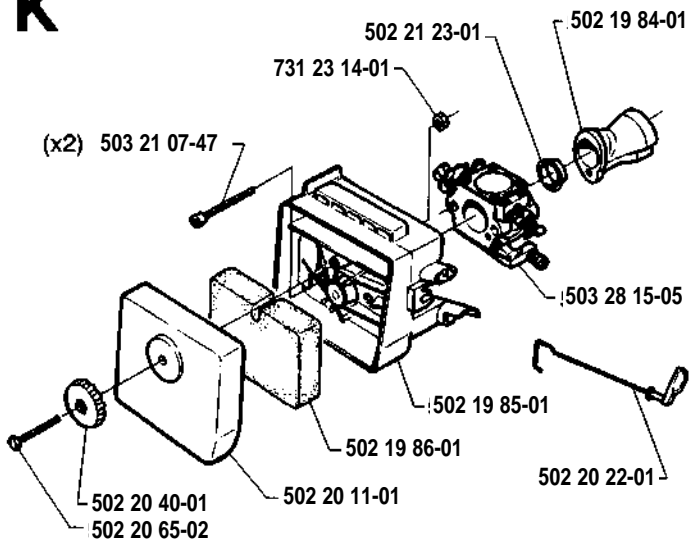
B

 * compl 502 18 50-01

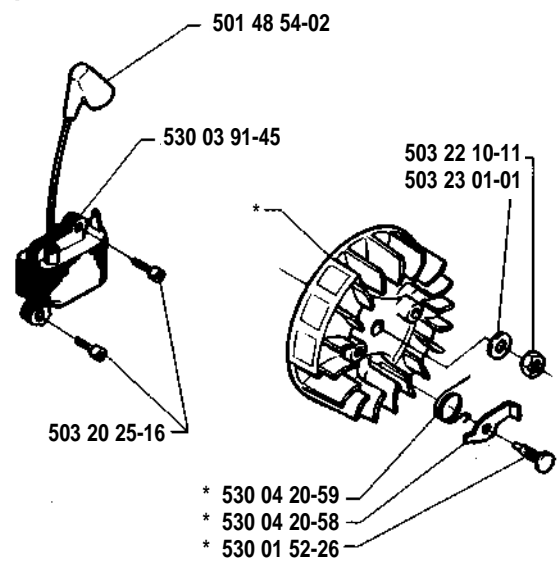
235R



K

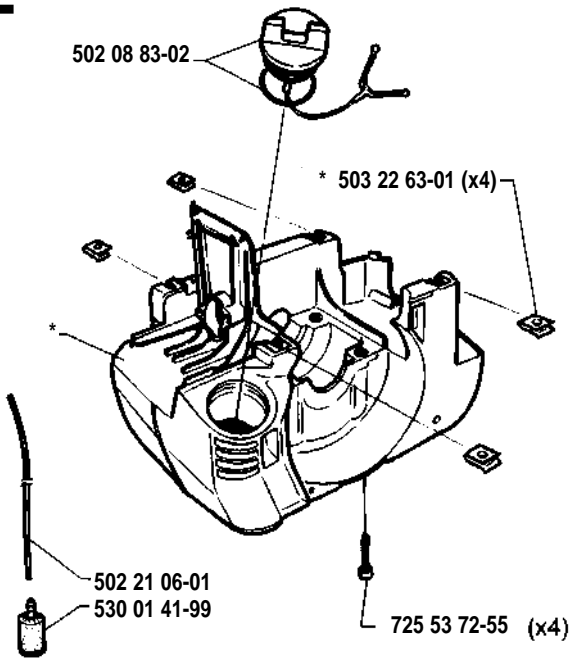


H

 * compl 502 19 59-01

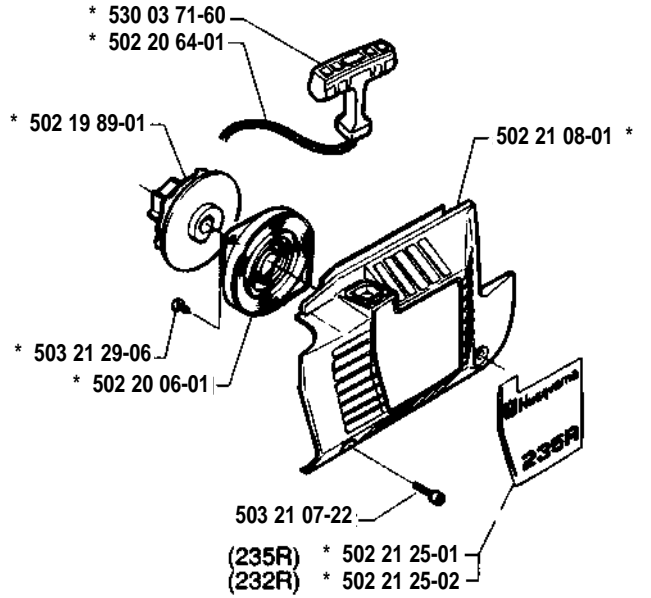
L

* compl 502 21 10-02



M

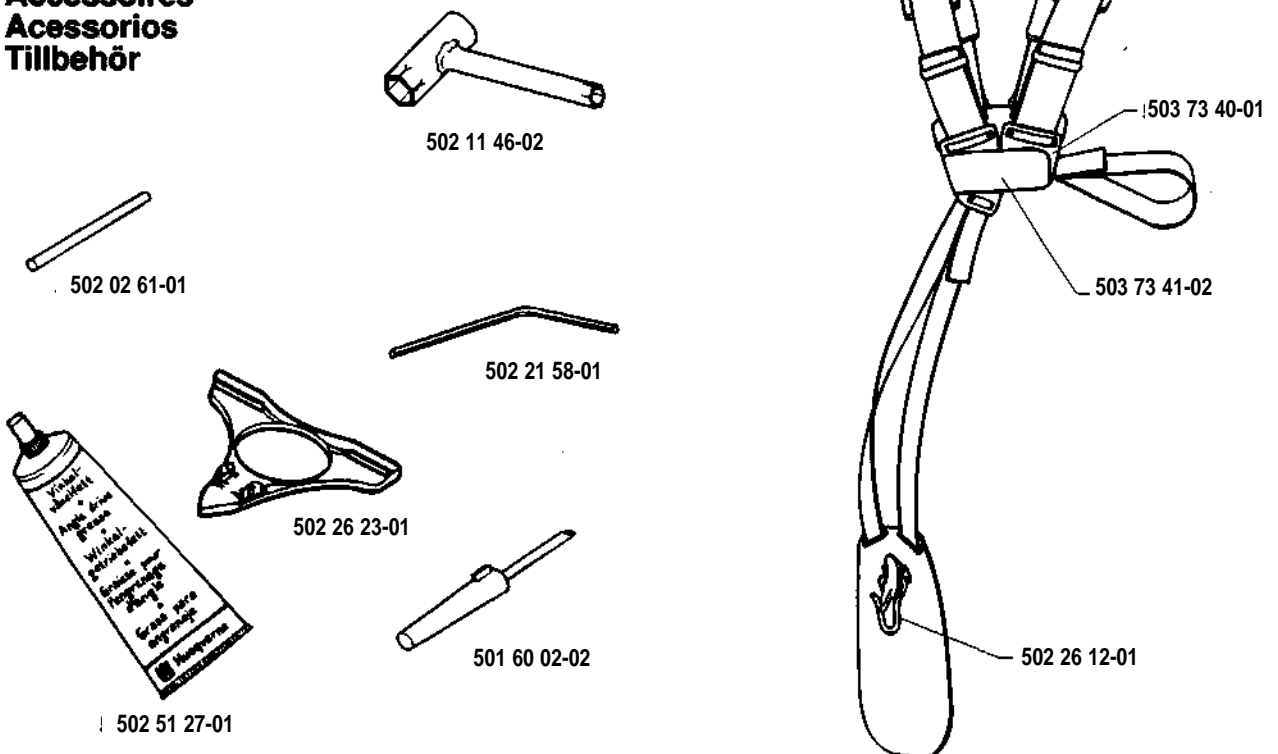
* compl 502 18 95-01



P

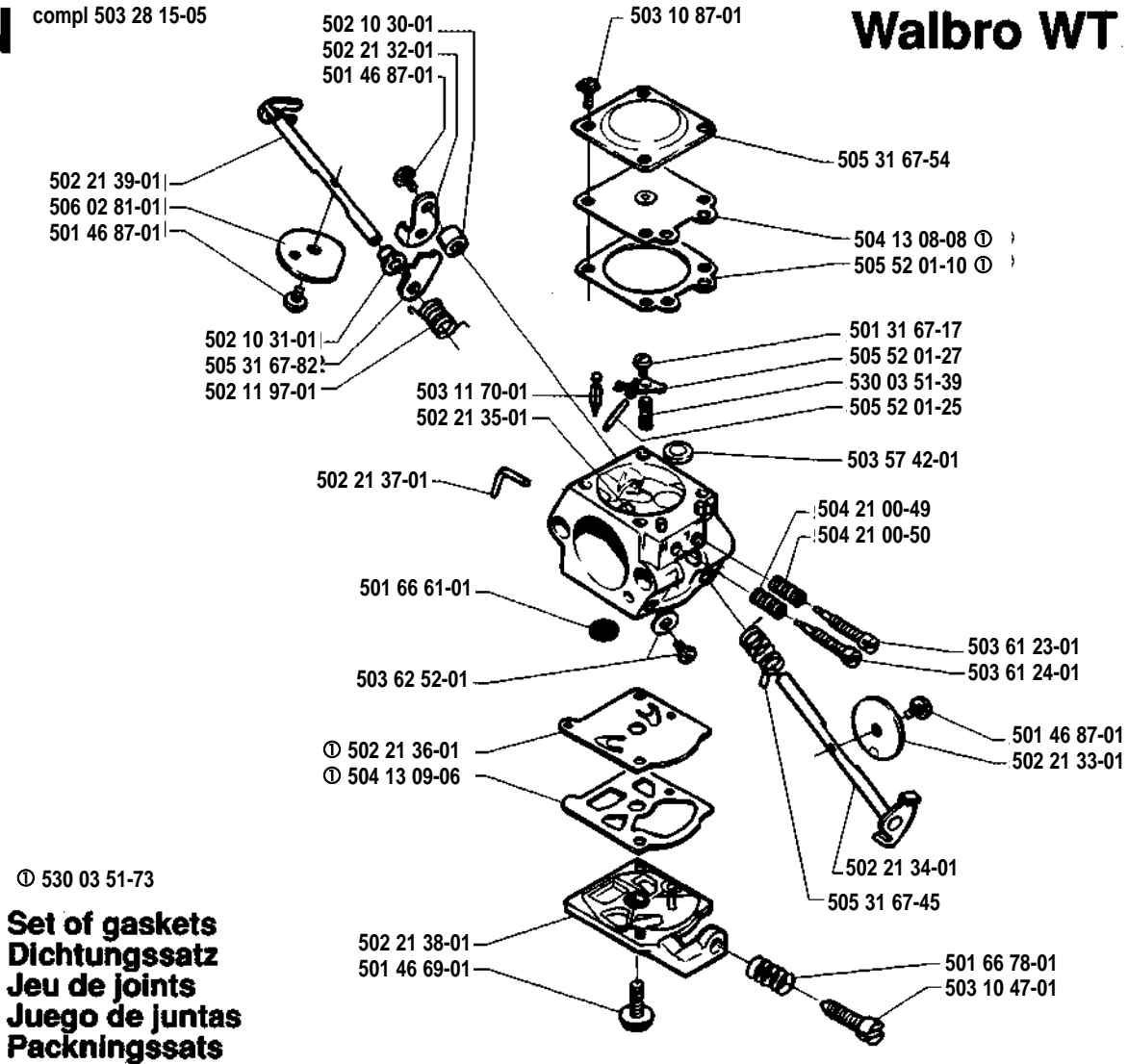
Accessories
Zubehöre
Accessoires
Accesorios
Tillbehör

compl 503 73 63-03
 compl 503 73 63-04 (USA)



N

compl 503 28 15-05

Walbro WT 235**Q**

compl 502 21 92-03

232R